

Prague

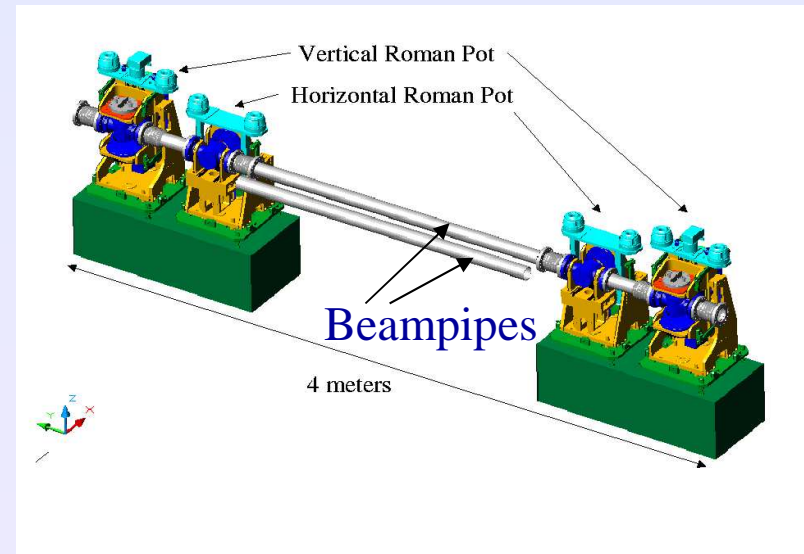
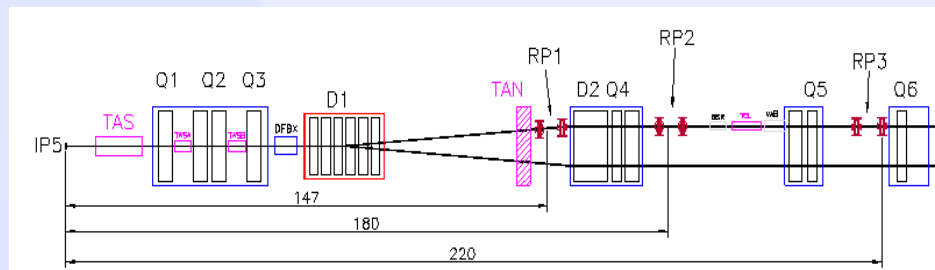
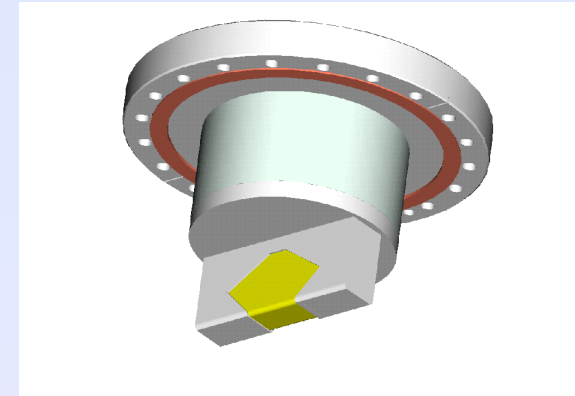
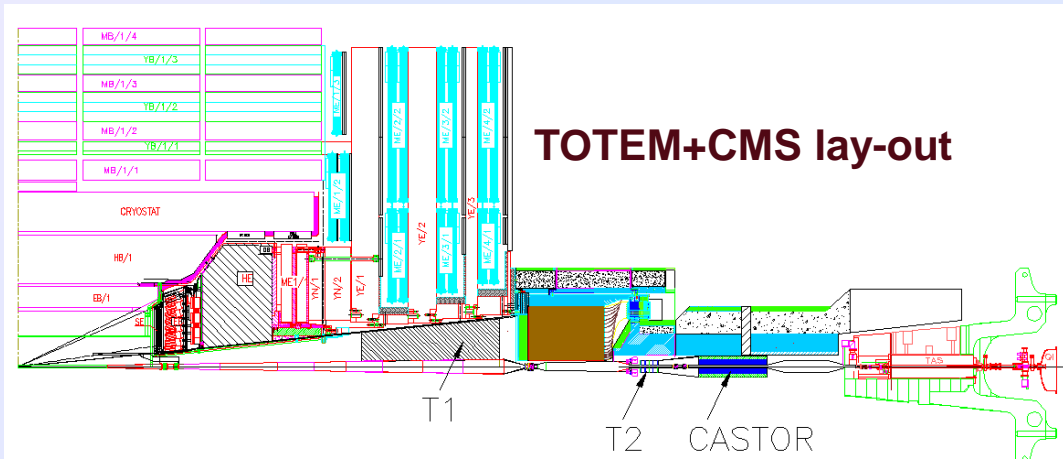
TOTEM

Meeting

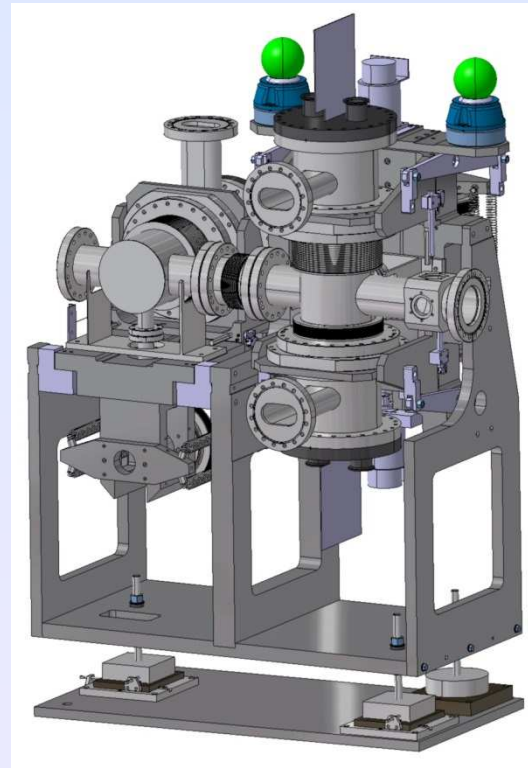
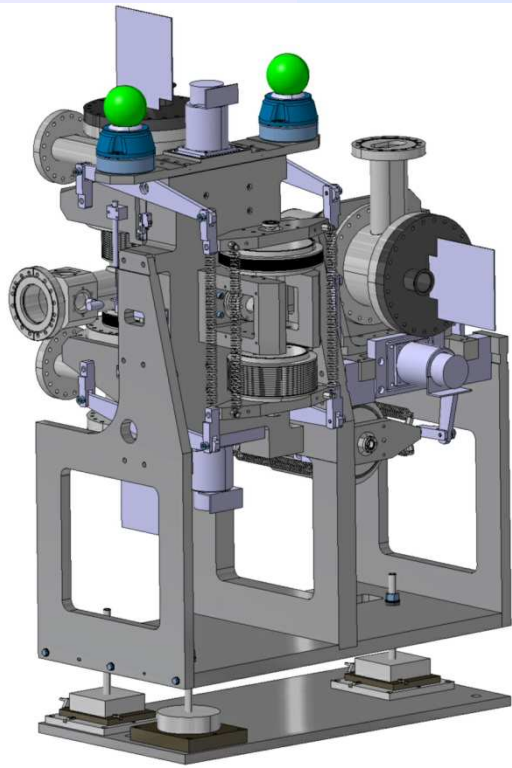


www.vakuum.cz

TOTEM & CMS Configuration

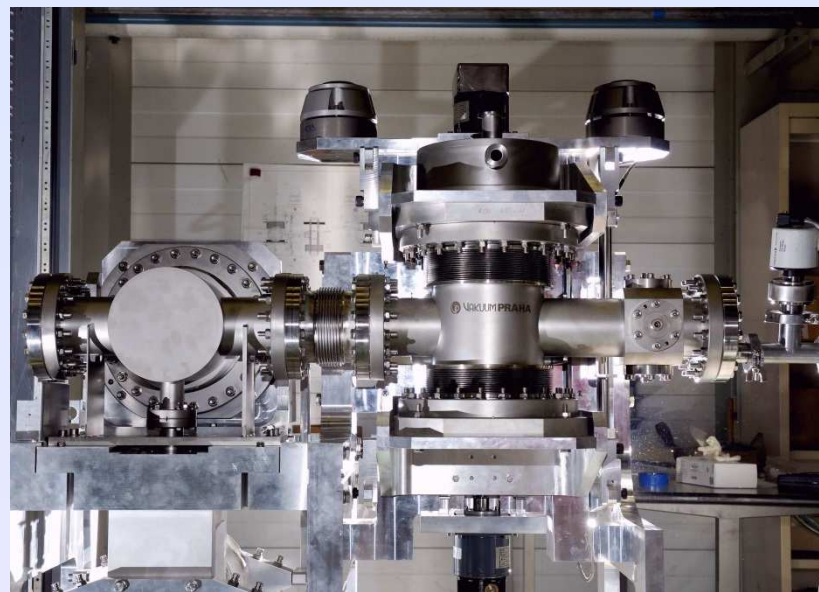
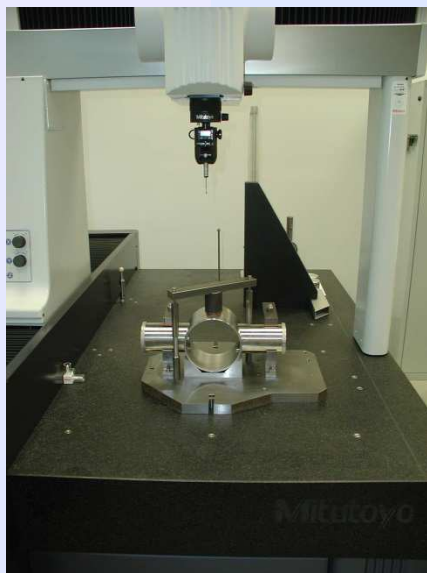


ROMAN POTS



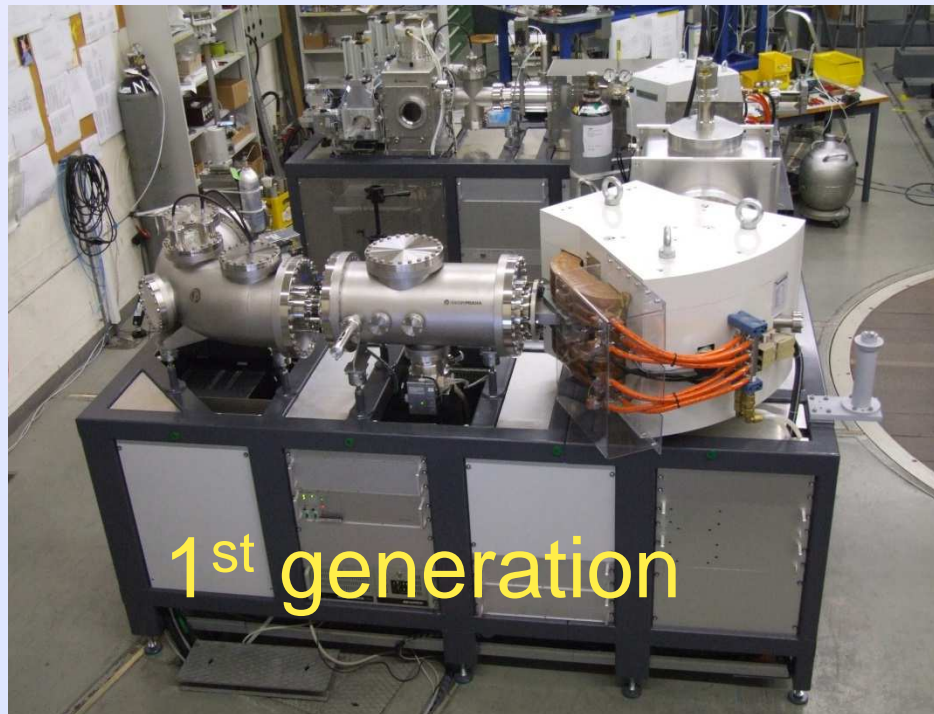
- two vertical RPs, one horizontal RP
- interconnection bellows between horizontal and vertical pots
- vacuum compensation system
- stepper motors to drive the pots
- adjustable jacks to align the RP unit in the tunnel

VAKUUM PRAHA ROMAN POTS





Vacuum System for Accelerator Mass Spectrometer ETH Zürich



ETH

Eidgenössische Technische Hochschule Zürich
Swiss Federal Institute of Technology Zurich

AMS – 2nd gen.
Leak testing of
vacuum vessel
for ESA

